

Multilevel Sequential Logic Circuit Design

Avni Morgül

FSM Vakıf University, Biomedical Eng. Dept, Istanbul, Turkey

Email: amorgul@fsm.edu.tr

Fatma Sarıca

Maltepe University, Electrical & Electronics Eng. Dept., Istanbul, Turkey

Email: fatmasarica@maltepe.edu.tr

Abstract—Multilevel logic circuits has advantages of simpler circuit complexity, less interconnections and small chip area. However it has not found enough attention and applications because there is not sufficient hardware available. Reference [1] proposes a multilevel flip-flop circuit and its applications for building counter circuits. In this paper it is shown that it is possible to design any arbitrary sequential logic circuit by using this flip-flop. The multilevel circuit is simpler and uses fewer transistors compared to the binary equivalent circuit.

Index Terms—multivalued logic, sequential logic, multivalued flip-flop, current mode CMOS logic

I. INTRODUCTION

Multilevel or multivalued logic circuits (MVL) may implement the logic operations more efficiently and faster by increasing the radix of the system or the number of levels used, in the expense of reduced noise margin. These systems become equivalent to an analog system if the radix is very large. So, it suffers from the noise and parameter variations of the components used in the realization.

The current mode design can be successfully applied to higher-radix or multi-valued logic circuit design, abbreviated as CM-MVL. Current-mode MVL structures are presented in [11]错误:未找到引用源。 .

In current-mode design, the parameter variations of the components and the noise may result in incorrect logic levels may be obtained, if the number of cascaded stages exceeds a certain value. Therefore, it is unavoidable to restore the tabulated levels after a certain number of stages, unless the gates are self-restored type [12]. A new full-current mode CMOS-MVL restoration circuit is presented in [13].

II. DEFINITIONS

In a radix- r multilevel system, any m -variable logic function, $f(x_1, x_2, \dots, x_m)$ may be represented in terms of basic operations, MIN , MAX and inverter. Here, each variable, x_i , takes a value from the set $R=\{0,1,\dots, r-1\}$. The radix, r , corresponds to the number of possible signal

levels. In current mode MVL logic, levels are represented by current levels in terms of a base current, I_b . Thus, a variable $x=0$ is associated with the current level value, $I_0=0$, $x=1$ is associated with $I_1=I_b$ and so on. However, in the circuits, a logic current level l , actually corresponds to an interval of the continuous quantity, y , such that

$$y \rightarrow l: \{y | (l-0.5)I_b \leq y < (l+0.5)I_b\} \quad (1)$$

This means that a total parameter variation plus noise of $\pm \frac{1}{2}I_b$ may be tolerated.

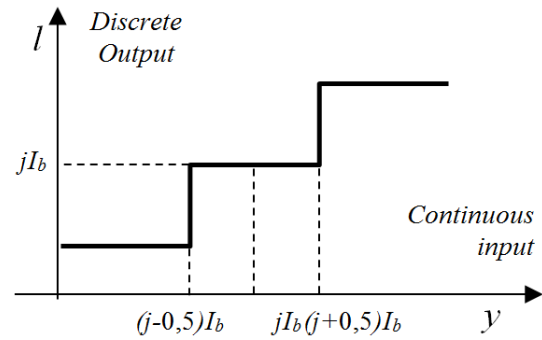


Figure 1. Conversion of continuous input signal to multilevel.

The definitions of basic MVL operations are given below [11].

$$MIN(x,y)=x \cap y = x \bullet y$$

$$MAX(x,y)=x \cup y = x + y$$

Complement of x :

$$\bar{x} = r - 1 - x$$

Truncated difference,

$$x \ominus y = \begin{cases} x - y & \text{if } x \geq y \\ 0 & \text{otherwise} \end{cases}$$

The literal, (L)

$$L(k, a, b) = \begin{cases} k & \text{if } a \leq x \leq b \\ 0 & \text{otherwise} \end{cases}$$

The clock-wise Cyclic

$$k\text{-CWC} : x \xrightarrow{k} \equiv (x + k) \bmod r$$

The upper and lower threshold operations

$$\text{upper - threshold, } th_u : a|_b^c = \begin{cases} c & \text{if } a \geq b \\ 0 & \text{otherwise} \end{cases}$$

$$\text{lower - threshold, } th_l : {}^c|_b a = \begin{cases} c & \text{if } a \leq b \\ 0 & \text{otherwise} \end{cases}$$

III. SEQUENTIAL CIRCUITS

It is known that the basic building blocks of sequential logic circuits are the flip-flops. Characteristic equations and next-state tables for conventional flip-flops such as *SR*, *JK*, and *T*, for multilevel input signals are introduced in several studies [4]-[5].

Unfortunately, circuit level implementations of the equations are very complicated [6], [7] and they require the inversion of the current state output to calculate the next state. In current mode designs, inversion is performed by subtracting the current from the maximum allowable current [i.e. $(r - 1)I_0$]. This operation increases the power consumption considerably. So, the inverter must be avoided for a low power design.

Since all standard flip-flop equations require inversion, it is decided to define a new flip-flop, which does not use any inverter. This new flip-flop is called AB flip-flop because it has two inputs, A and B, and the transition equation which does not have inverted terms, is stated as follows [1]:

$$Q_{n+1} = A + B \cdot Q_n$$

The state transition table of the AB flip-flop is given in Table I. The flip-flop can successfully change its state for any input combination.

TABLE I. TRANSITION TABLE OF THE AB FLIP-FLOP

AB Q _n	00	01	02	03	10	11	12	13	20	21	22	23	30	31	32	33
0	0	0	0	0	1	1	1	1	2	2	2	2	3	3	3	3
1	0	1	1	1	1	1	1	1	2	2	2	2	3	3	3	3
2	0	1	2	2	1	1	2	2	2	2	2	2	3	3	3	3
3	0	1	2	3	1	1	2	3	2	2	2	3	3	3	3	3

Block diagram of the AB flip flop is given in Fig. 2. It is composed of a *MIN* circuit to perform AND operation, a *MAX* circuit to perform OR operation and a *LATCH-RESTORER* circuit to HOLD and restore the current state.

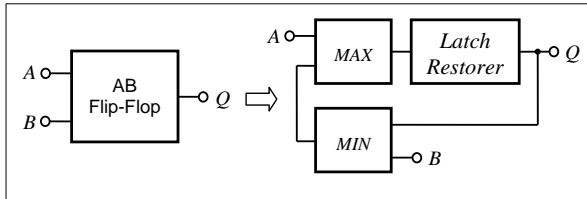


Figure 2. Block diagram of the AB flip-flop.

The *MIN* [14] and *MAX* [15] circuits are current-mode, multi-input circuits working based on winner/loser-takes-all principle as shown in Fig. 3. Although there are other

simpler implementations of *MIN* and *MAX* circuits in the literature [4], this circuit is preferred because of its robustness. The *LATCH/RESTORER* circuit is based on level restoration circuit design given in [13] and optimized for the new application to obtain smooth transitions. Since the current mode multilevel circuits are not self-restored the predefined current levels can be deviate from their original values due to some variations in active element dimensions, power supplies, technology parameters, etc. The signal must be restored to its original value before the variations exceeds $\pm I_b/2$ value. In addition, the flip-flop circuits have positive feedback in nature, which prohibits any variation from the predefined level. Otherwise, this variation forces the output to shift either to ground or power supply voltage. The restoration circuit is modified as *LATCH/RESTORER* circuit by adding a pass transistor properly. Both *HOLD* and restore operations performed at the same time by using the circuit given in Fig. 4.

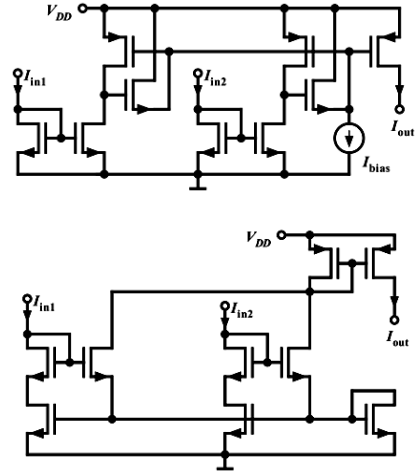


Figure 3. (a) *MIN* and (b) *MAX* circuits [14], [15].

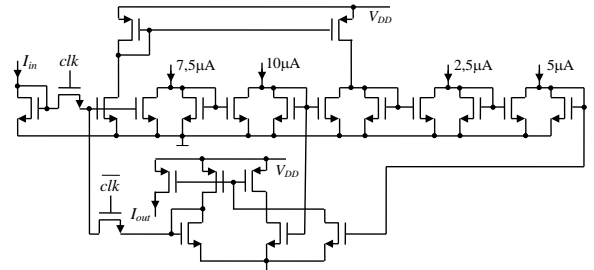


Figure 4. Modified latch and restoration circuit.

Timing of the flip flop circuit is performed by using two-phase clock signals (*clk*, \overline{clk}) which control the pass transistors of the latch circuit. The number of *Q* outputs (*I_{out}*) can be increased by adding more current mirrors to the final stage.

IV. IMPLEMENTATION OF SEQUENTIAL CIRCUITS

Different type of sequential circuits, such as counters is designed by using the AB flip-flop, in order to show its usability.

A 1-digit modulo-4 counter is designed to test the new flip-flop. Then, the counter design work is extended to synchronous and asynchronous 2-digit modulo-16 counters. All these circuits are tested successfully [1]. A 4-level logic system is preferred (although most circuits are radix-free, minor modifications may needed to change/increase the logic levels for a 1-digit counter), in order to keep the noise margins in reasonable levels.

Using the counting diagram and state transition table of the flip-flop, we can obtain the next-state equation of the counter as follows, after necessary minimizations;

$$A_1 = Q_1^{-1}, B_1 = 0$$

$$A_2 = {}^3Q_1^3 \cdot Q_2^{-1}, B_2 = {}^0Q_1^2 \cdot Q_2$$

Here, Q_1^{-1} and Q_2^{-1} indicate 1-level clock-wise cyclic operation and ${}^3Q_1^3$ and ${}^0Q_1^2$ are literal operations. The ${}^3Q_1^3$ operation is logically equal to “detect if $Q_1 \geq 3$ ”, and the ${}^0Q_1^2$ operation is logically equal to “detect if $Q_1 \leq 2$ ”. So, we can replace the literal circuits with upper and lower threshold circuits, respectively. Threshold circuits are simpler and use fewer transistors than literal circuits. The complete block diagram of the synchronous 2-digit modulo-16 counter and simulation results are given in Fig. 5 and Fig. 6, respectively.

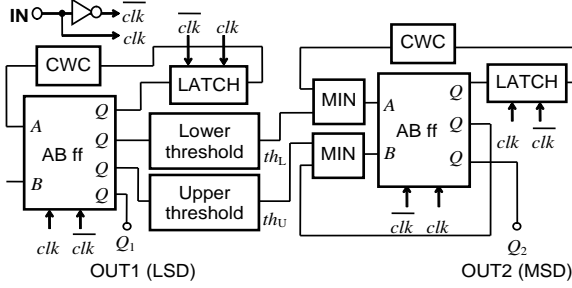


Figure 5. Synchronous 2-digit modulo-16 counter

In order to show the suitability of the proposed new flip-flop, for any sequential multi-valued logic application, we propose and presented in this paper, an arbitrary state diagram for 1-input, 2-output quaternary logic circuit. HSPICE simulations show that circuit is working correctly.

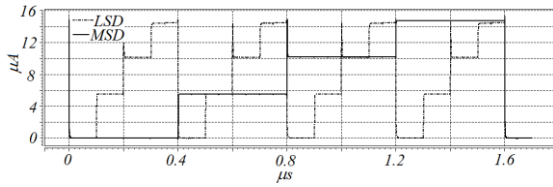


Figure 6. Simulation result of 2-digit modulo-16 counter.

The state diagram of the circuit is given in Fig. 7. Using this state diagram, truth table is formed and introduced in Table II. Here x is an input current, Q_2 and Q_1 are current state outputs and combined with x input to generate the excitation functions for A and B inputs of the flip-flops. Q_{2+} and Q_{1+} are the calculated next state output levels.

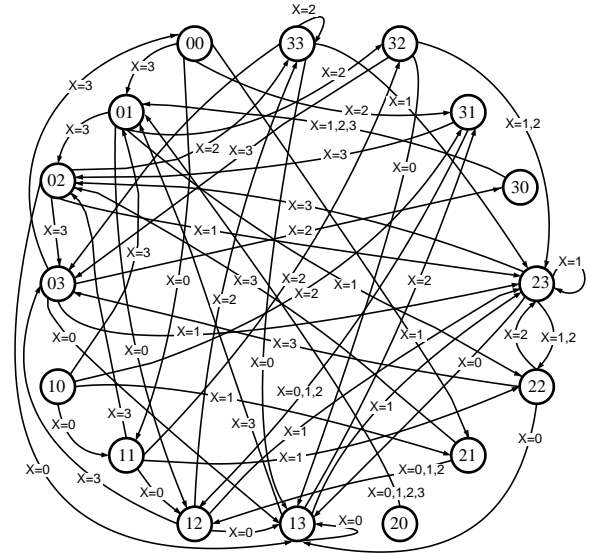


Figure 7. State diagram of the sequential circuit.

TABLE II. TRUTH TABLE OF THE SEQUENTIAL CIRCUIT

In	Present State	Next State	FF Inputs	In	Present State	Next State	FF Inputs										
x	Q_2	Q_1	Q_{2+}	Q_{1+}	A_1	B_1	A_2	B_2	x	Q_2	Q_1	Q_{2+}	Q_{1+}	A_1	B_1	A_2	B_2
0	0	0	1	1	1	0	1	0	2	0	0	3	1	1	0	3	0
0	0	1	2	2	1	1	0	0	2	0	1	3	2	2	0	3	0
0	0	2	1	3	3	2	1	0	2	0	2	3	3	3	0	3	0
0	0	3	1	3	0	3	1	0	2	0	3	3	0	0	0	3	0
0	1	0	1	1	1	0	1	0	2	1	0	3	1	1	1	3	0
0	1	1	2	2	1	1	1	1	2	1	1	3	2	2	1	3	1
0	1	2	1	3	3	2	1	1	2	1	2	3	3	3	1	3	1
0	1	3	1	3	0	3	1	1	2	1	3	3	1	0	1	3	1
0	2	0	0	1	1	0	0	0	2	2	0	0	1	1	2	0	0
0	2	1	1	2	2	1	0	1	2	2	1	1	2	2	2	0	1
0	2	2	1	3	3	2	0	1	2	2	2	2	3	3	2	0	2
0	2	3	1	3	0	3	0	1	2	2	3	2	2	0	2	0	2
0	3	0	0	1	1	0	0	0	2	3	0	0	1	1	3	0	0
0	3	1	1	2	2	1	0	1	2	3	1	1	2	2	3	0	1
0	3	2	1	3	3	2	0	1	2	3	2	1	2	3	3	0	2
0	3	3	1	3	0	3	0	1	2	3	3	3	3	0	3	0	3
1	0	0	2	1	1	0	2	0	3	0	0	0	1	1	0	0	0
1	0	1	2	2	2	1	2	0	3	0	1	0	2	2	0	0	0
1	0	2	2	3	3	2	2	0	3	0	2	0	3	3	0	0	0
1	0	3	2	3	0	3	2	0	3	0	3	0	0	0	0	0	0
1	1	0	2	1	1	0	2	0	3	1	0	0	1	1	1	0	0
1	1	1	2	2	2	1	2	1	3	1	1	0	2	2	1	0	0
1	1	2	2	3	3	2	2	1	3	1	2	0	3	3	1	0	0
1	1	3	2	3	0	3	2	1	3	1	3	0	1	0	1	0	0
1	2	0	0	1	1	0	0	0	3	2	0	0	1	1	2	0	0
1	2	1	1	2	2	1	0	1	3	2	1	0	2	2	2	0	0
1	2	2	2	3	3	2	0	2	3	2	2	0	3	3	2	0	0
1	2	3	2	3	0	3	0	2	3	2	3	0	2	0	2	0	0
1	3	0	0	1	1	0	0	0	3	3	0	0	1	1	3	0	0
1	3	1	1	2	2	1	0	1	3	3	1	0	2	2	3	0	0
1	3	2	2	3	3	2	0	2	3	3	2	0	3	3	3	0	0
1	3	3	2	3	0	3	0	2	3	3	3	0	3	0	3	0	0

Using this truth table, we obtain the input functions, by inspection, as follows (unfortunately there is not a simple method to simplify the multilevel logic equations).

$$A_1 = Q_1^{-1}$$

$$B_1 = {}^0x^1 \cdot Q_1 + {}^2x^3 \cdot Q_2$$

$$A_2 = {}^0Q_2^1 \cdot x^{-1}$$

$$B_2 = x^{\rightarrow 1} \cdot Q_1 \cdot Q_2$$

Here, $Q_1^{\rightarrow 1}$ Indicates 1-level clock-wise cyclic operation. ${}^0x^1$ and ${}^2x^3$ are literal operations [9]. They are logically equal to “detect if $x \leq 1$ ” and “detect if $x \geq 2$ ”, respectively. So, we can replace the literal circuits with upper and lower threshold circuits. Threshold circuits are simpler and use fewer transistors than literal circuits. The new sequential circuit can be designed as given in Fig. 8, by using these equations.

The circuit is tested for different input x currents, and the resulting output currents are shown in Figure 9. The results are totally compatible with the state diagram introduced in Fig. 7.

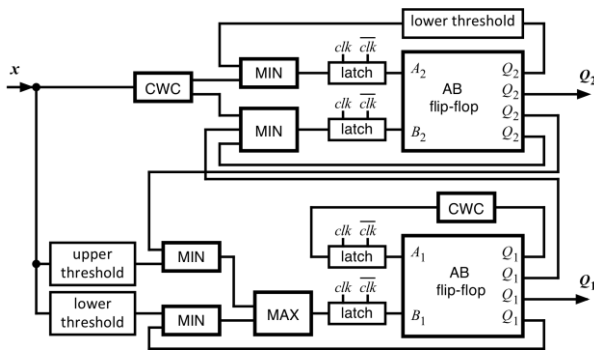


Figure 8. The sequential circuit

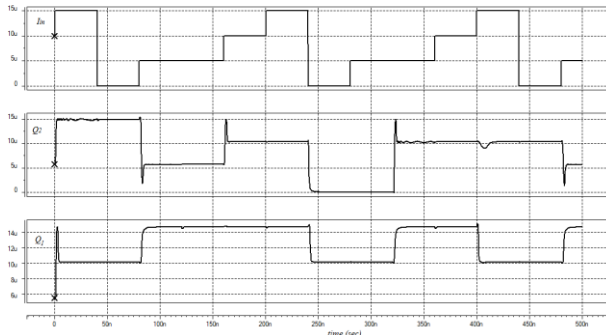


Figure 9. The input and output waveforms

V. CONCLUSION

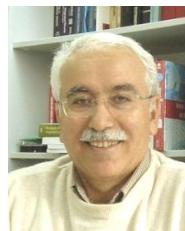
In this study, we show that any sequential multi-valued logic circuit can be realized with the new multilevel AB flip-flop. An arbitrary state diagram for 4-level logic is drawn and it is realized by using the new flip-flop.

Future studies will be based on designing edge-triggered flip-flops rather than level triggered ones. This will hopefully reduce the number of transistor used and will improve the speed considerably.

Another issue about multi-valued circuits is the minimization issue. Unfortunately there is no known method, which may be implemented easily, to simplify the multilevel logic equations. The circuit designs will be less complicated with the effective minimization algorithms.

REFERENCES

- [1] F. Sarica, A. Morgül, “AB-flip-flop, a first step to multilevel sequential logic”, *Electronics Letters*, pp: 310-312, Vol.47 No.5, 3 March 2011
- [2] Ota, Y. and Wilamowski B. M., “Current-mode CMOS implementation of a fuzzy min-max network”, *World Congress of Neural Networks*, vol. 2, pp. 480-483, Washington DC, USA, 1995
- [3] Current, K.W., “A CMOS Quaternary Latch”, *Proceedings of the 19th International Symposium on Multiple Valued Logic*, pp. 54-57, 1989.
- [4] Turgay Temel and Avni Morgül, “Implementation of Multi-Valued Logic Gates Using Full Current-Mode CMOS circuits”, *Analog Integrated Circuits and Signal Processing*, No:39, pp:191-204, Apr. 2004.
- [5] Acha, J. I. and J.L. Huertas, “General excitation table for a JK multistable”, *Electronics Letters*, Vol. 11, Nos. 25/26, pp. 624, 1975
- [6] Hirota, K. and K. Ozawa, “The Concept of Fuzzy Flip-Flop”, *IEEE Transactions on Systems, Man and Cybernetics*, Vol. 19, No. 5, pp. 980-997, 1989
- [7] Maguire, L. P., T.M. McGinnity, and L.J. McDaid, “From a Fuzzy Flip-Flop to a MVL Flip-Flop”, *Proceedings of the 29th International Symposium on Multiple Valued Logic*, pp. 294-299, 1999.
- [8] Diamond, J., W. Pedrycz, and D. McLeod, “Fuzzy JK Flip-flops as Computational Structures: Design and Implementation”, *IEEE Transactions on Circuits and Systems II- Analog and Digital Signal Processing*, Vol. 41, No. 3, pp. 215-226, 1994
- [9] F. Sarica, A. Morgul, “Basic Circuits for Multi-Valued Sequential Logic”, *Analog Integrated Circuits and Signal Processing*, Volume 74 Number 1, pp:91-96, Jan 2013.
- [10] A. K. Jain, R.J. Bolton and M. H. Abd-El Barr, “CMOS Multiple-Valued Logic Design”, Part I and II, *IEEE Trans. Circuits and Systems*, vol. 40, no. 8, pp. 503-532, Aug. 1993.
- [11] Turgay Temel, Avni Morgul; “Implementation of multi-valued logic, simultaneous literal operations with full CMOS current-mode threshold circuits”, *IEE Electronic Letters*, Vol.38 No.4, pp:160-161, 14th Feb. 2002
- [12] Teng, D. H. Y. and R. J. Bolton, “A Self-restored Current-mode CMOS Multiple-valued Logic Design Architecture”, *IEEE Pacific Rim Conference on Communications, Computers and Signal Processing*, (PASRIM’99), pp. 436-439, 1999.
- [13] A. Morgul and T. Temel, Current-mode level restoration: circuit for multi-valued logic, *Electronics Letters*, Vol. 41 No. 5, 3rd March 2005
- [14] Huang, C. Y., C. J. Wang, and B. D. Liu, “Modular Current-Mode Multiple Input Minimum Circuit for Fuzzy Logic Controllers”, *Electronics Letters*, Vol. 32, No. 12, pp. 1067-1069, 1996.
- [15] Baturone, I., J.L. Huertas, A. Barriga and S. Sánchez-Salono, “Current-Mode Multiple-Input Max Circuit”, *Electronics Letters*, Vol. 30, No. 9, pp. 678-680, 1994.



Avni Morgul has been graduated from Istanbul Technical University in 1970 and got his PhD degree in 1981 from the same university. He joined Bogazici University after a one-year post doc. research in the University of Edinburgh, Scotland, and he had been a full time academic staff there, until 2008. Now, he is the Head of Biomedical Engineering Department of FSM Waqf University in Istanbul, Turkey. Professor

Morgul’s research is concentrated on communication electronics, analog and digital IC design, implementation of multivalued logic circuits. He is member of IEEE, IET, Chamber of Turkish Electrical Engineers (EMO) and Turkish Radio Amateurs Society (TRAC). Dr. Morgul is married and has 4 children.



Fatma Sarica has received the B.S. degree in Electronics and Communication Engineering from Istanbul Technical University in 2001 and got her M.Sc. and PhD degrees in 2004 and 2012, respectively, from Bogazici University. She is currently working as Assistant Professor in Maltepe University, Istanbul, Turkey. Her research is on analog and digital IC design, implementation of multivalued logic circuits. Dr. Sarica is married and has a son.